



CDD2425

CDD2416-T

CDAP2316-T

CDAP2416-T

Pan-and-Tilt Heads

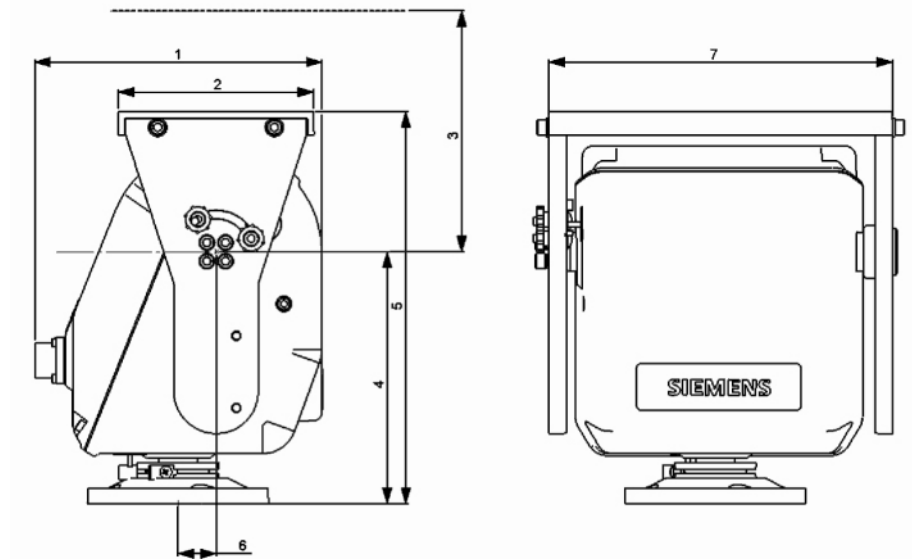
-
- **AC/DC pan-and-tilt heads**
 - **Preset position feedback capability and heaters as standard**
 - **Over-the-top or side mounting options for camera housings**
 - **Inverse mounting of the pan-and-tilt heads possible**

A complete range of pan-and-tilt heads with a load rating of up to 25 kg. There are two versions available: AC models with fixed speed, and DC models with variable speed. The robust mechanical design and various mounting options allow the units to be used in a wide range of CCTV applications. The pan-and-tilt heads can also be inverse mounted, e.g. to be mounted to a ceiling.

All models are supplied with preset position feedback capability and heaters as standard. The load capacity of up to 25 kg allows large housings with zoom lenses and other accessories such as, for instance, infrared lamps to be mounted to the pan-and-tilt heads. The standard models are designed for either over-the-top or side mounting. It is also possible to convert an over-the-top platform unit to side mount configuration.

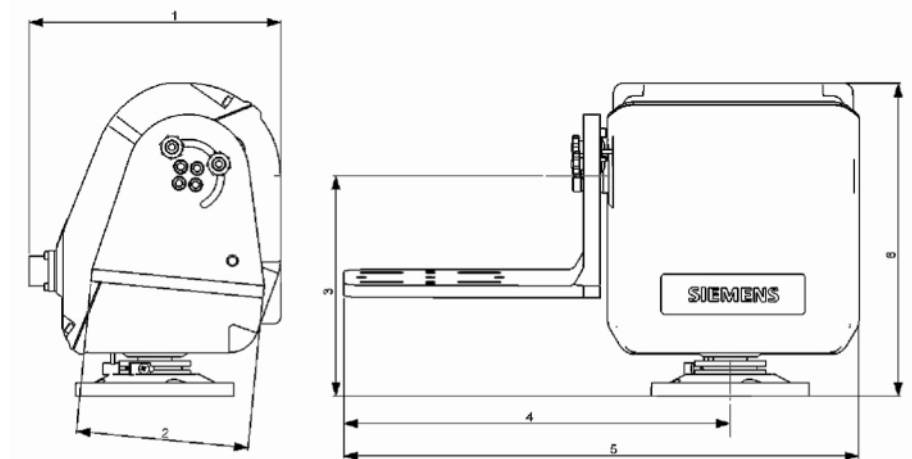
Dimensions

Over-the-top platform



1	185 mm	5	255 mm
2	125 mm	6	25 mm (to axis of rotation)
3	155 mm (to centre-line of load)	7	223 mm
4	162 mm (to axis of rotation)		

Side mount platform



1	185 mm	4	285 mm (to axis of rotation)
2	127 mm	5	378 mm
3	162 mm (to axis of rotation)	6	230 mm

Technical data

	CDD2425	CDD2416-T	CDAP2316-T	CDAP2416-T
Nominal voltage	24 V DC	24 V DC	230 V AC, 50 Hz	24 V AC, 50 Hz
Speed ranges	Pan: 24 °/s (variable), Tilt: 12 °/s (variable)	Pan: 48 °/s (variable), Tilt: 24 °/s (variable)	Pan: 6 °/s, Tilt: 3°/s	Pan: 6 °/s, Tilt: 3°/s
Driving torques	Pan: 20 Nm, Tilt: 40 Nm	Pan: 10 Nm, Tilt: 20 Nm	Pan: 19 Nm, Tilt: 19 Nm	Pan: 19 Nm, Tilt: 19 Nm
Holding torques	Pan: 40 Nm, Tilt: 50 Nm	Pan: 20 Nm, Tilt: 40 Nm	Pan: 24 Nm, Tilt: 24 Nm	Pan: 24 Nm, Tilt: 24 Nm
Load rating with				
Side mount version	25 kg	16 kg	25 kg	25 kg
Over-the-top version	-	16 kg	16 kg	16 kg
Max. pan rotation	365° ± 2°			
Max. tilt rotation	Over-the-top mount: 20 – 90° Side mount: ± 90°			
Backlash	Typically < ± 0.1°			
Stall protection	DC: Over-current shutdown in stall condition AC: Permanent stall without damage			
Usable temperature range (at 70 % max. duty cycle)	-40 to +60 °C -20 to +60 °C without heaters connected			
Heater - fitted as standard	On at +10 °C when temperature falling Off at +20 °C when temperature rising			
Relative humidity	95 % non-condensing			
Protection rating	IP67, BS EN 60 529			
MTTR	< 1 hour			
Plug connection	AC: 7-pin IP67 screw-locking industrial connector DC: 7-pin IP67 screw-locking industrial connector Presets: 4-pin IP67 screw-locking industrial connector			
Construction	Die-cast aluminium body and brackets, machined stainless-steel and aluminium components, stainless-steel fixings			
Finish	Polyester powder coat, full gloss, RAL 9006 white aluminium			
Weight	7.00 kg			
Suitable mounting brackets	CDBS4540, CDBS6699, CADC1599, CADC3099			

Details for ordering

Type	Part No.	Designation	Weight
CDD2425	S54561-C700	Pan-and-tilt head, side mount version, 24 V DC	8.0 kg
CDD2416-T	S54561-C701	Pan-and-tilt head, over-the-top mount version, 24 V DC	8.0 kg
CDAP2316-T	S54561-C702	Pan-and-tilt head, over-the-top mount version, 230 V AC	8.0 kg
CDAP2416-T	S54561-C703	Pan-and-tilt head, over-the-top mount version, 24 V AC	8.0 kg

Accessories (not included in delivery)

Type	Part No.	Designation	Weight
CHSM2210	S54561-C601-A1	Camera housing, 225 mm, 230 V AC	2.5 kg
CHSM2211	S54561-C601-A2	Camera housing, 225 mm, 24 V AC	2.5 kg
CHSL4010	S54561-C603-A1	Camera housing, 400 mm, 230 V AC	4.9 kg
CHSL4011	S54561-C603-A2	Camera housing, 400 mm, 24 V AC	4.9 kg
CADO0700-AC	S54561-B711-A1	AC connector for CDAP2316-T/CDAP2416-T	0.1 kg
CADO0700-DC	S54561-B711-A2	DC connector for CDD2425/CDD2425-T	0.1 kg
CADO0400-PR	S54561-B712	Preset connector	0.1 kg
CADS1816	S54561-B713	Side mount kit	1.0 kg
CDBS4540	S54561-C704	Fixed bracket	2.0 kg
CADC1599	S54561-C706	6" (152 mm) column spacer	2.0 kg
CADC3099	S54561-C707	12" (304 mm) column spacer	3.0 kg
CDBC0075	S54561-C710	Corner bracket	4.5 kg

Issued by
Siemens Building Technologies
Fire & Security Products GmbH & Co. oHG
D-76181 Karlsruhe

www.buildingtechnologies.siemens.com

© 2008 Copyright by
Siemens Building Technologies
Data and design subject to change without notice.
Supply subject to availability.

Printed in the Federal Republic of Germany
on environment-friendly chlorine-free paper.

Document No. **A6V10209557**

Edition 07.08.2008